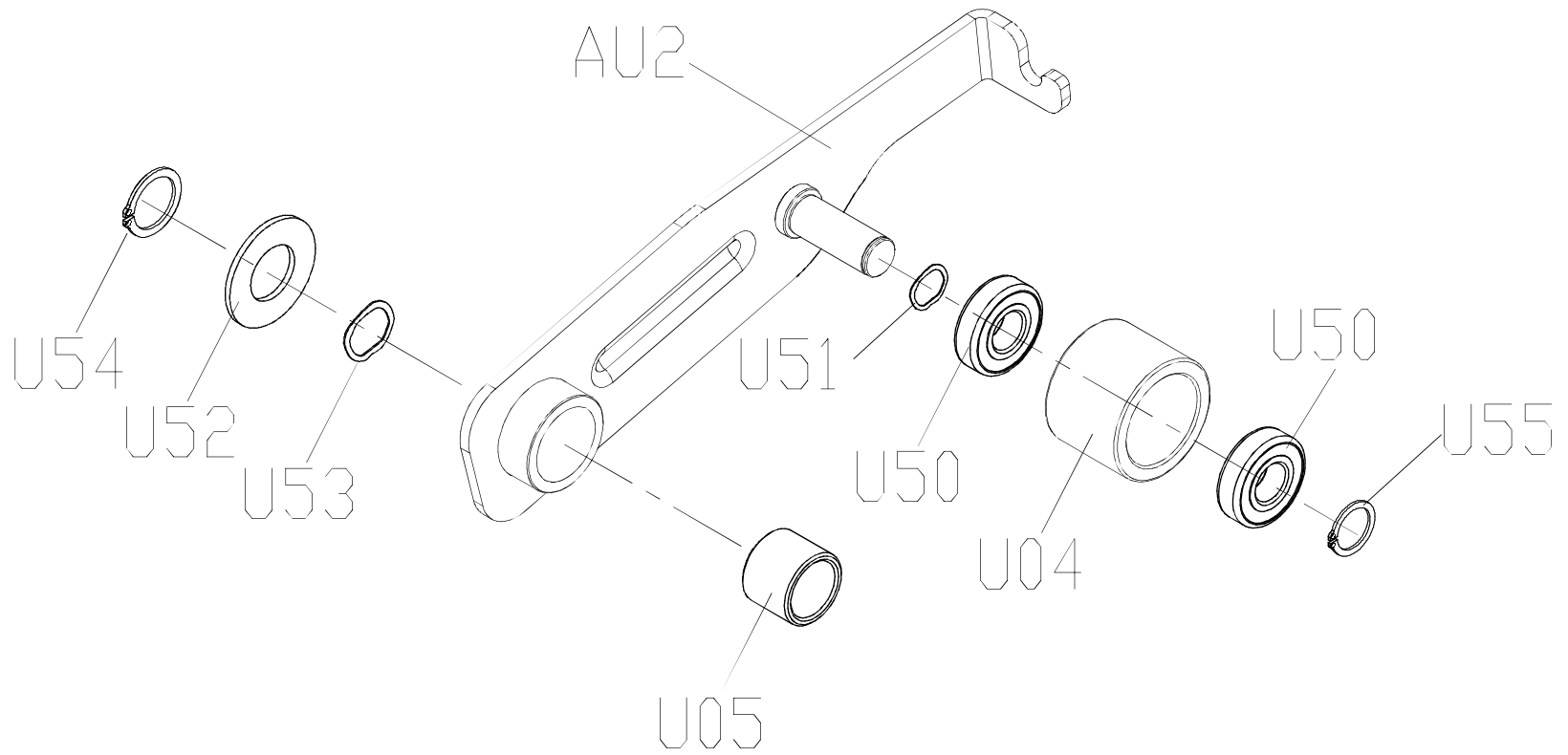
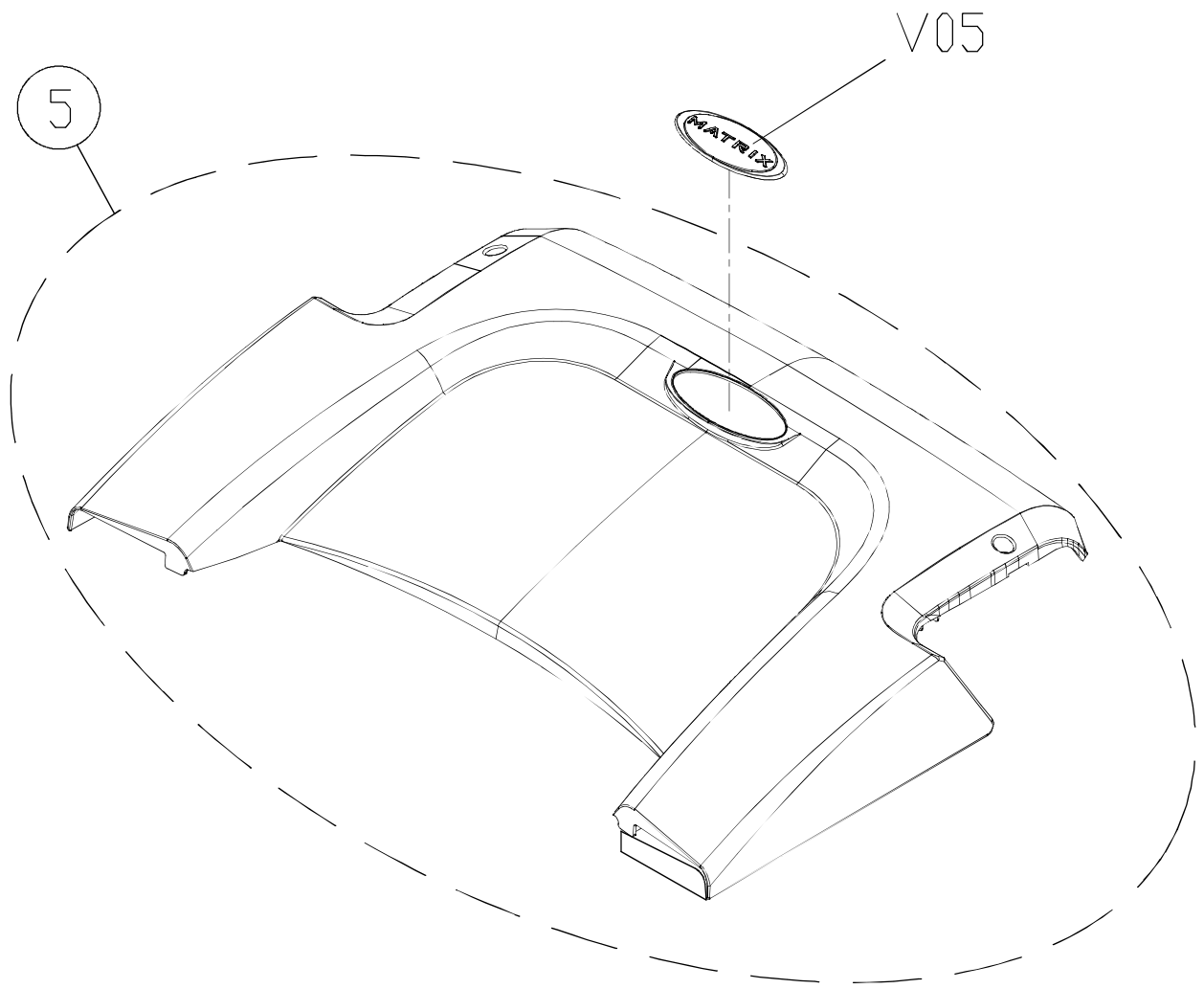


DRAWING NO	TM501-AU11		
PART NAME	TENSION WHEEL SET		
PART NO	0000088969 B		
APPROVE	SHUYI	DATE	122413

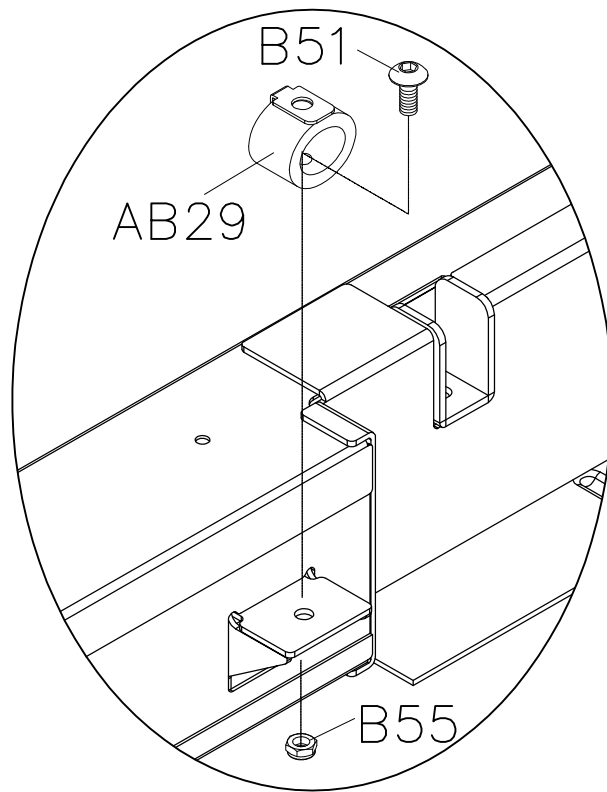
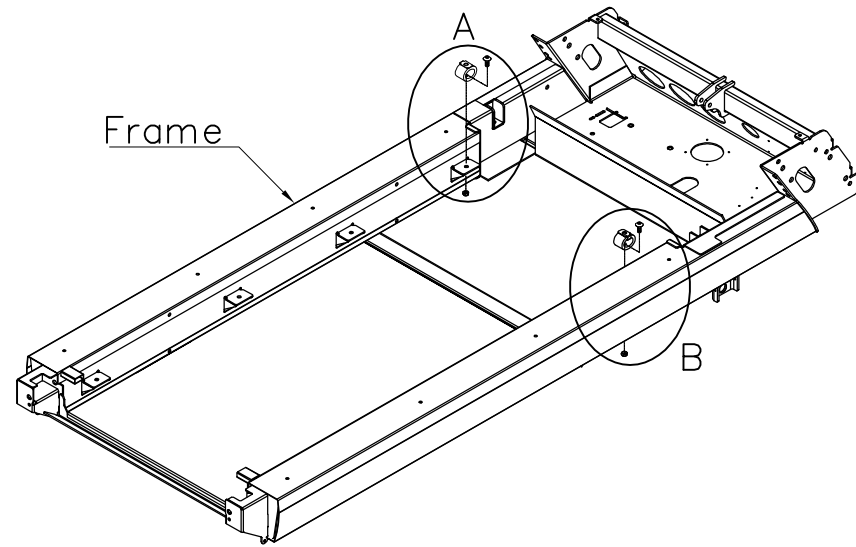


DRAWING NO	TM501-AQ10		
PART NAME	Motor Covver Net;With Lebal		
PART NO	0000088973 B		
APPROVE	SHUYI	DATE	122413

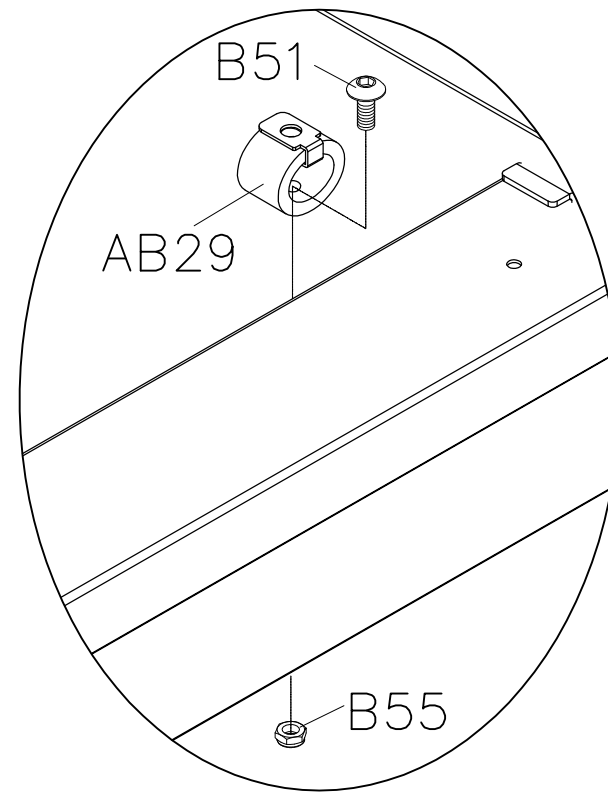


DRAWING NO	TM501-AB21		
PART NAME	Elastomer Set;Running Deck;Front		
PART NO	As Attachment		
APPROVE	S.T.C	DATE	060512

Part No.	Description
0000089487	Nai Ri
1000233263	Miner



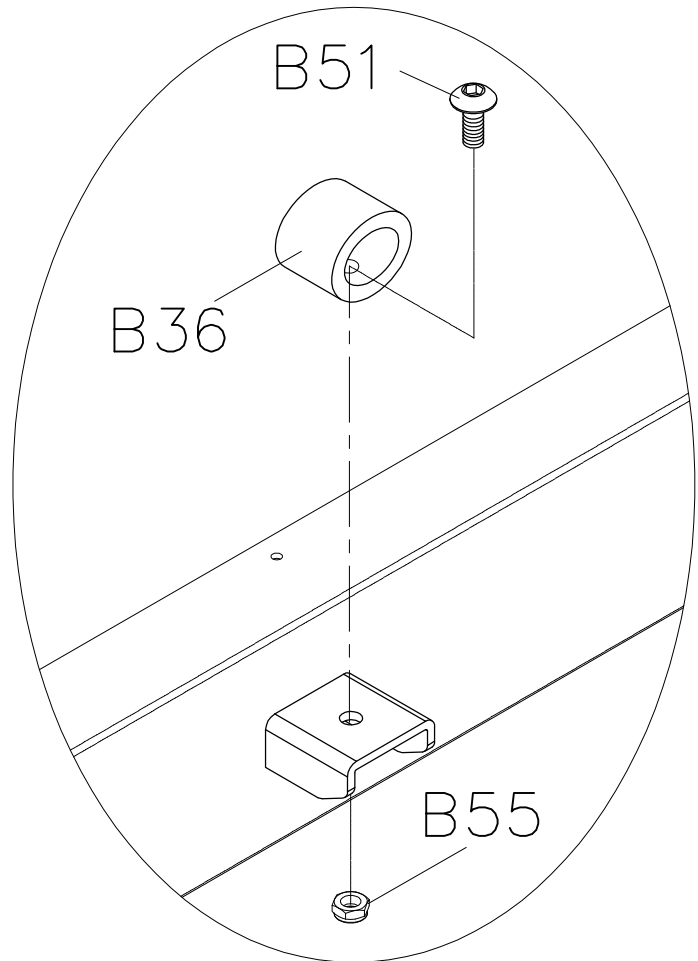
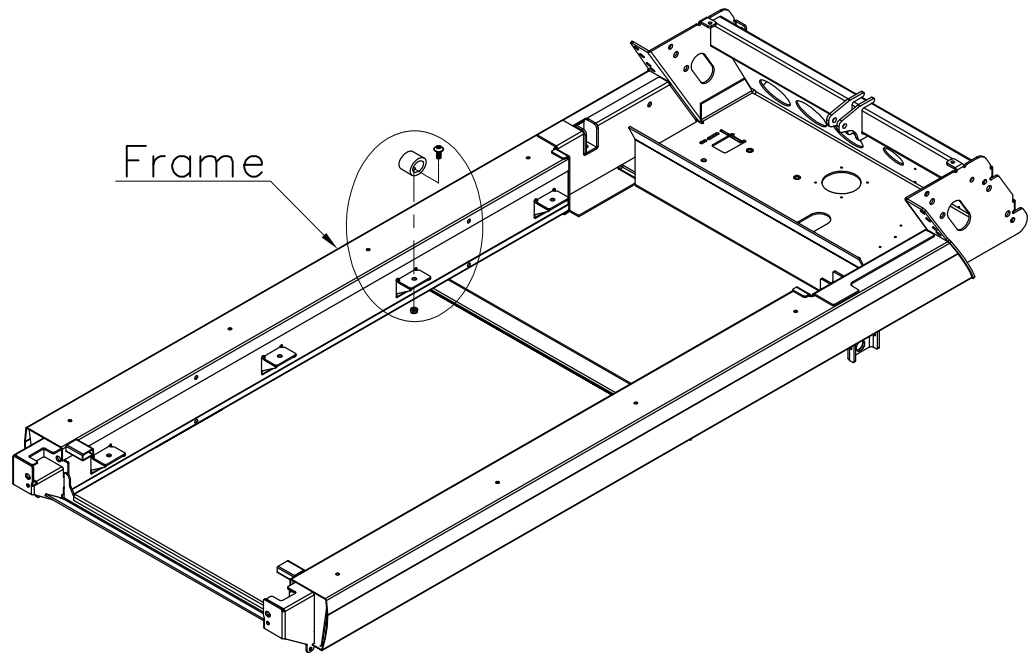
A 詳圖(1:5)



B 詳圖(1:5)

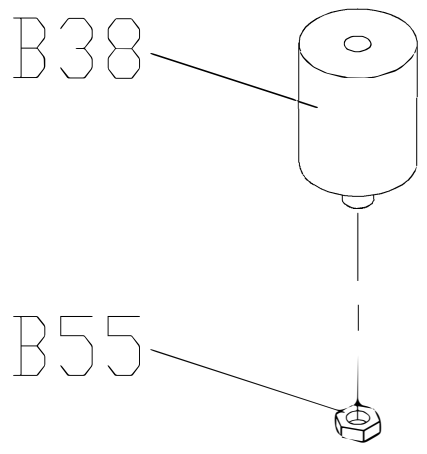
DRAWING NO	TM501-AB22		
PART NAME	Elastomer Set;Running Deck;Middle		
PART NO	As Attachment B		
APPROVE	S.T.C	DATE	060512

Part No.	Description
0000089488	Nai Ri
1000233264	Miner



A(1:5)

DRAWING NO	TM501-AB23		
PART NAME	Elastomer Set;Running Deck;Back		
PART NO			
APPROVE	SHUYI	DATE	122413

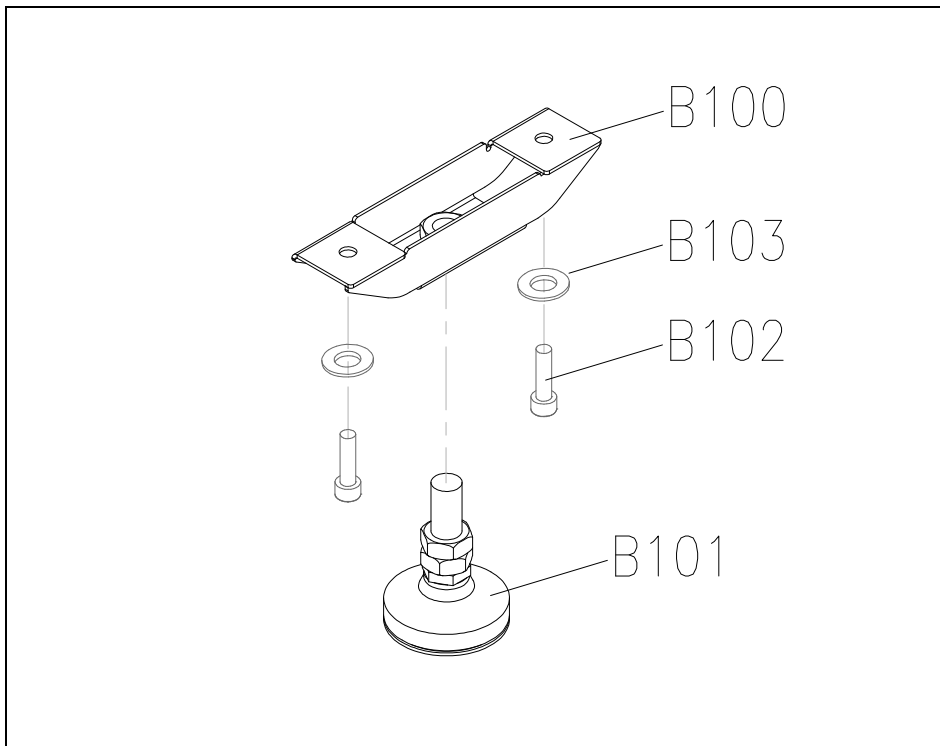




T5x-02-F

0000088993

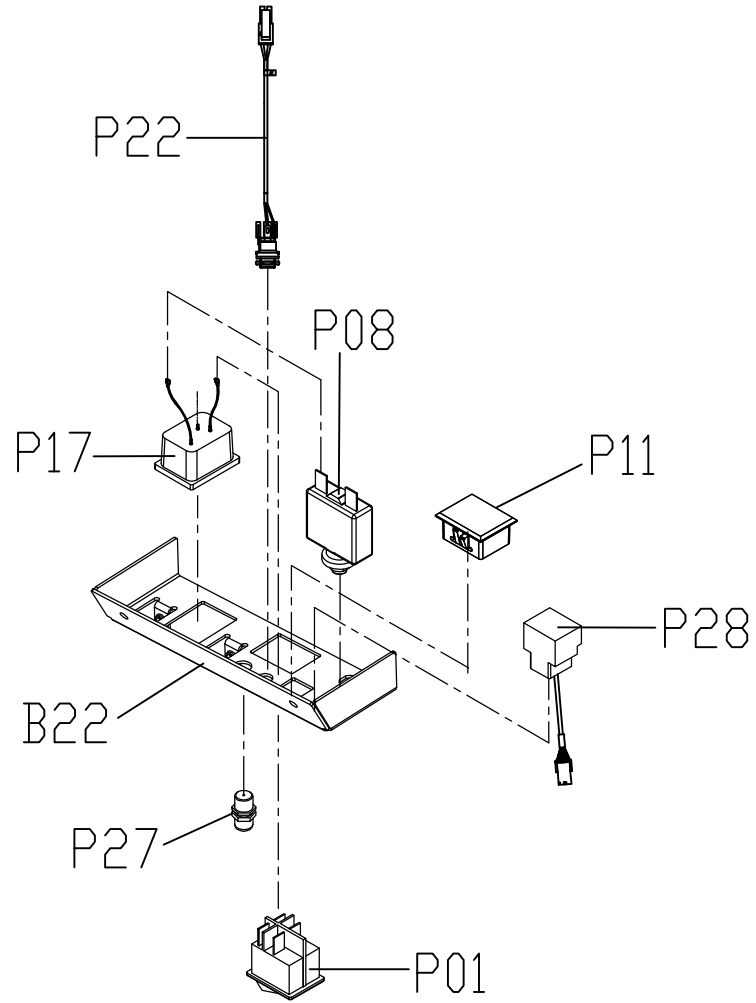
BACK ADJUSTABLE FOOT SET



Item No.	SAP Part NO	Description	QTY
B100	0000086897	FIX PLATE;FOOT PAD;BACK;	1
B101	0000088994	FOOT PAD; BACK;	1
B102	0000085362	SCREW;SH;	2
B103	005145-A	WASHER;FLAT;	2

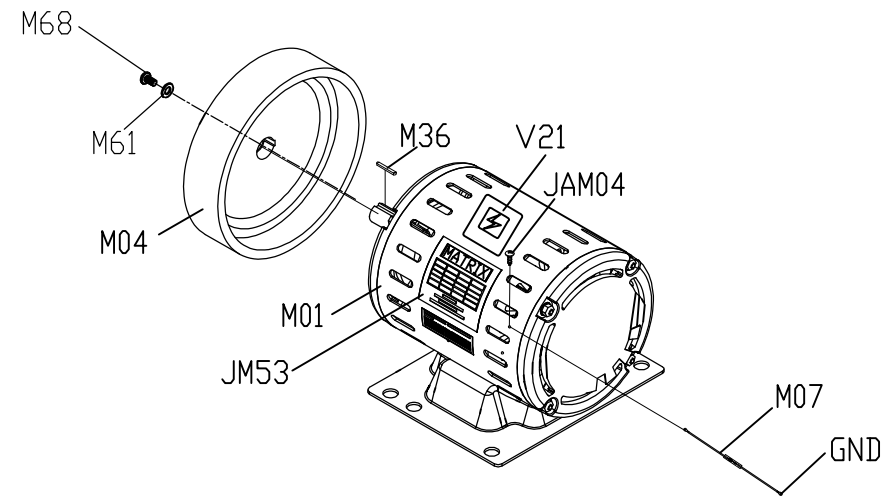
DRAWING NO	TM501E-AP12		
PART NAME	Power Switch Set		
PART NO	As Attachment		
APPROVE	SUNNY	DATE	100913

Part NO	Description
1000230705	Power Switch Set;1US;T5x-04
1000302213	Power Switch Set;2KM;T-5X/7X-04-F4

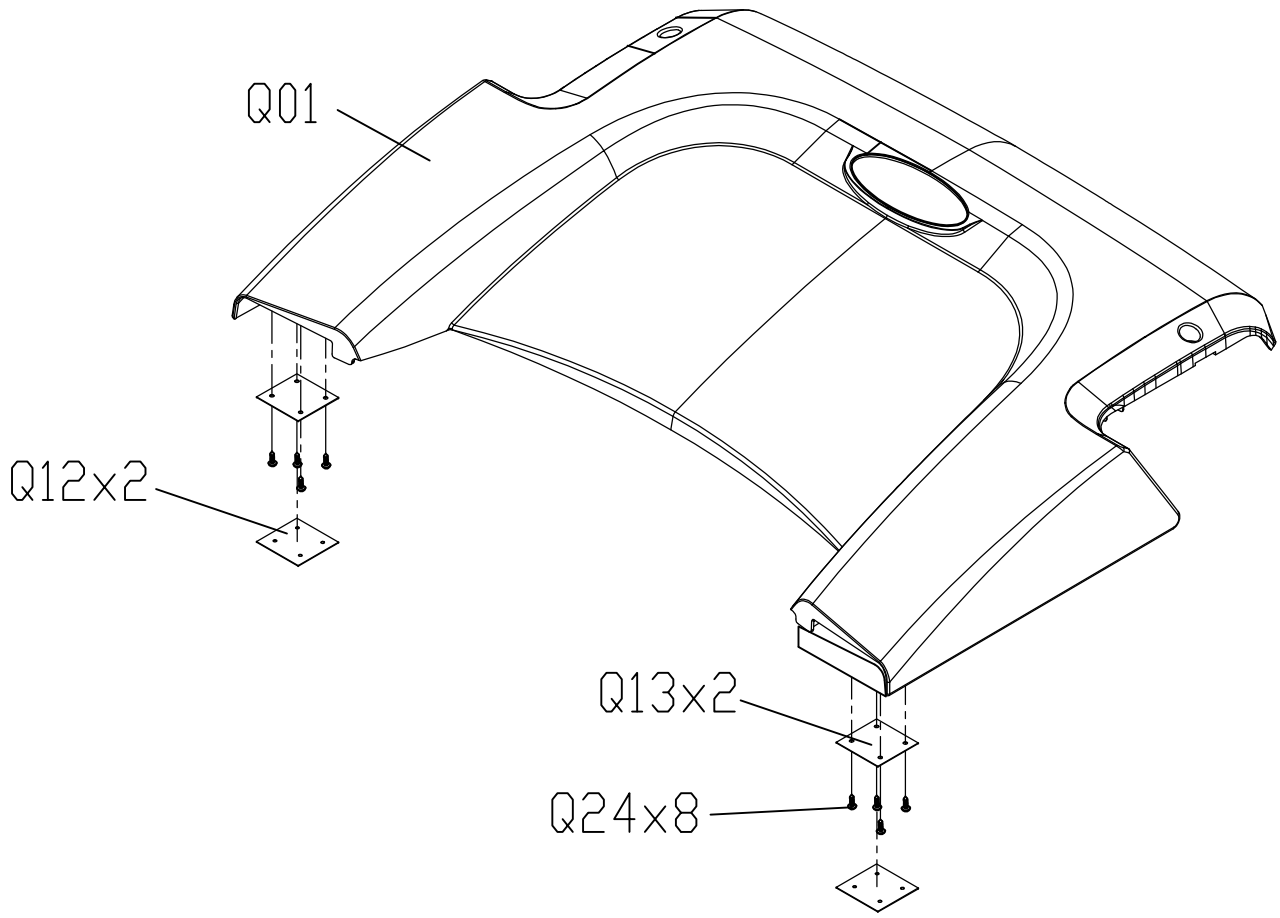


DRAWING NO	TM501C-AM1		
PART NAME	Motor Set		
PART NO	1000204065 R/C		
APPROVE	SUNNY	DATE	113011

Notes :
Deviation : under 0.4mm



DRAWING NO	TM501-AQ11		
PART NAME	Motor Cover Set		
PART NO	0000088989 B		
APPROVE	SHUYI	DATE	100411



Bubble#	OEM Number	Description	Notes
01	0000088969	Tension Wheel Set TM501 T5x-02	
04	0000088973	Motor Cover Set Upper	
11	0000084529	Semi-Assy TM501 Console Mast Set L	This is the standard console mast part also available in black matte, purple (for Planet Fitness), and red (for Workout Anytime).
11	1000338077	Console Mast Set L painting Black Matt	For frame in black matte
11	1000337919	Console Mast Set L painting MATRIX Pur	For Planet Fitness frame
11	1000354593	Console Mast Set L painting USA Red TM	For Workout Anytime frame
12	0000084539	Semi-Assy TM501 Console Mast Set R 1US	This is the standard console mast part also available in black matte, purple (for Planet Fitness), and red (for Workout Anytime).
12	1000338080	Console Mast Set R painting Black Matt	For frame in black matte
12	1000337930	Console Mast Set R painting MATRIX Pur	For Planet Fitness frame
12	1000354594	Console Mast Set R painting USA Red TM	For Workout Anytime frame
13	0000089487	Elastomer Set Running Deck Front T5x-02	
14	0000089488	Elastomer Set Running Deck Middle T5x-02	
15	0000091092	Elastomer Set Running Deck Back T1x-F	If this part is not in stock, send components 1000412624 and 0000095437 instead.
16	0000088993	Rear Adjustable Leveler Foot Set Right TM501	
2	1000350718	Motor set Semi-Assy T3x-F	Substitute. Order this part if 1000204065 is out of stock. See service bulletin "Substitute Motor". Please request failed motor returned to JHT-NA for inspection, Attn: Jake Sleppy. Also send Quality Return label, ZMS4009192.
2	1000448260	Motor Set For Matrix TM538 1US	Original. If this part (1000204065) is out of stock, send motor 1000350718 instead. See service bulletin "Substitute Motor".

2	1000448260	Motor Set For Matrix TM538 1US	Substitute motor #2. Order this part if 1000204065 and 1000350718 are both out of stock.
21	1000230705	Power Switch Set 1US For PCTV T-5x-04-F	
AH2	0000093397	Painting Elevator Rack Set BL TM501	For standard frame. Also available in black matte.
AQ2	0000086075	Motor Cover Front	
AR1	0000091544	Roller Set Front 3.5inch JR01	
AR2	1000464887	Roller Set Rear Diam.89 JR02	
B100	0000086897	Fix Plate Foot Pad B SPHC 2.0t TM501	
B101	1000366837	Foot Pad back NBR BL/Black C TM529	
B101	1000476342	Foot Pad back BL/Black C NR+SBR TM529	Send if issues with TM sliding forward.
B102	0000085362	Screw SH M8X1.25PX20L HS BAN	
B103	005005-AC	Washer Split 8.2X15.4X2.0T BZN	
B22	1000228968	Plastic Plate SPHC 1.6t BED PCTV T-5x-04	
B23	0000084526	Bracket Side Rail SPHC 2.0t TM501	
B24	0000084527	Cover Elevation Rack Pivot Joint SPHC 1.	
B25	0000088975	Rear Shim Foot Plate Set TM501 SBOM	
B34	1000214787	Bracket Power Cord Retaining SMALL SPCC 1.6t B	Screws NOT included: Also order B60 (x2).
B35	1000471203	running deck-Extrawork Beeswax Chyuan	If this part is not in stock, send deck 1000421981 instead. // Return for quality inspection only if deck is cracked/broken. Substitute. Order this part if 1000471203 is not in stock.
B35	1000421981	Treadmill deck 616x1340x25.4T	
B36	0000089488	Elastomer Set Running Deck Middle T5x-02	
B38	1000412624	Cushion Deck NBR Black 30x37 TM501	
B49	004979-00	Insert Nut Hex NHS-8125-3.0(M8x1.25P)	
B51	0000084584	Screw BH M8X1.25PX20L HS BAN	
B52	0000089799	Washer 6.2x40.0x4.0t	
B53	0000089800	Washer DSP 6.4X14.0X1.2T SPHC	
B54	0000085924	Screw SH M6X1.0PX140L HS BZN	
B55	0000095437	Nut NIK M8X1.25Px6t BZN	

B56	004355-00	Screw Oval PH M4X0.7PX10L	
B57	0000086599	Screw BH M6X1.0PX12L CT PH BAN	
B58	0000085362	Screw SH M8X1.25PX20L HS BAN	
B59	004562-AB	Screw Hex Socket Sink Stainless M8x1.25Px35L	
B60	004385-00	Screw BH M5X0.8PX12L PH BAN	
C03	0000084534	Mounting Plate Console Mast Front A SPHC	
C04	0000084537	Mounting Plate Console Mast Rear B SPHC	
C50	004321-00	Screw Round PH M4 x 0.7P x 10L	
G53	0000092900	Screw BH M3x0.5Px6L MT PH CST BZN BP	
H50	0000094653	Screw Extrawork SH M16 Polish	
H54	000035-D	Transport Wheel Nylon 100 BL TM65	
H55	005042-00	Washer Flat 8.2X30.0X2.0T Black Zinc	
H56	004757-00	Screw Oval Hex Socket M8x1.25Px12L	
H57	005220-00	Washer Wavy 20.7x29.1x.3T	
H59	020378-00	Nut Hex M16x2.0Px7.8t	
H60	009469-C	Bushing Pedal Arm A CS05	
H61	0000093781	Washer SPL 17.3x26.3x3.0t BZN	
JAM04	0000095703	Screw RND M3.5X6L TC PH WZN ROHS	
JM13	0000086720	Elevation Motor 1300LB/115V 127mm TM501	
JM96	1000206713	Tape Single Sided 75x25x1.5t T5x-03	
		Motor Control Board Set APMT-1500A1 C - <mark>REFURB PART AVAILABLE: *Click here to open Refurb Parts	
M03	1000435058	List* </mark> Motor Control Board Set APMT-1500A1 C - <mark>REFURB PART AVAILABLE: *Click here to open Refurb Parts	See service bulletin "MCB Change". Okay to order if there is stock. This MCB was used in production before 9/2018. It is used with the original cover, 1000201218.
M03	1000435058	List* </mark>	
M06	004589-00	Screw Hex W3/8x47L/Tooth14L	
M09	001295-B	Insulating Sleeve Screw ABS 10.2X14/24X7L	

M11	0000094431	Fan Cooling FD128025LB DC 12V/0.1A T7000	This is not the fan that's mounted on the MCB.
M14	0000095368	Screw SH M10X1.5PX25L HS BZN	
M17	020478-00	Washer Flat 10.2x20.0x2.0T Black Zinc	
M20	1000433219	Cover MCB ABS/PA765 Matrix SL	Updated part fits new MCB. See service bulletin "MCB Change".
M21	0000086524	Guard Fan PG-80 BLACK	
M22	0000093962	Pin Elevation Clevis SCM440x15x65L Runner Gold	
M23	008652-A	Pin Hairpin Cotter 2x33L ZNC	
M35	1000227226	Washer Flat ?X10.5x?X25.0x1.0T Nylon+S2M	
M38	000885-C	Rubber Pad Motor Anti-Shake	
M50	1000211092	FILTER 20A 125/250V ROHS -	
M50	1000396097	Filter 20A 125/250V BF1103-20A-04(3)	Discontinued
M51	004361-00	Screw Phillip BH M4x0.7Px10L Ni Gap	
M53	1000212621	Screw BH M4X0.7PX40L - PH - BZN	
M54	004384-00	Screw Phillip BH M5x0.8Px30L Ni Gap	
M54	004384-00	Screw Phillip BH M5x0.8Px30L Ni Gap	For frame in black matte
M55	004889-00	Nut Hex M5x0.8P Nickel	
M56	0000082734	Washer Senated M5.3X10X0.6 Zinc Plate	
M57	001682-00	Clip Tie Strap Hold Down HC-0L P	
M58	004934-00	Nut Nylon 3/8'-16UNC	
M60	1000203251	Plastic Base WH CHF-11E	
M69	005010-00	Washer Spring 10.75x17.2x2.16t	
Not Listed	0000093024	Velcro Set Motor Cover T1x-F	Contains Q12 x1, Q13 x1, and Q24 x4 (order 2 kits to replace Velcro on both sides).
Not Shown	ZMS4004993	Matrix treadmill end cap touchup paint	
Not Shown	0000089165	Clip Nut Attached Plate Elastomer SPCC 1.6t Zn Pl	Clip for Elastomer
P01	1000317845	Power Switch ON-OFF W/ Light 125V/250V 2	
P02	002127-A	BS Wire 60L 12AWG Black TM86	
P05	0000086674	Power Wire EMI Filter to Switch 200(RVS	
P08	1000209313	Circuit Breaker 20A 125V/250V RFLB-2	

P11	1000472540	Cap C-SAFE NYLON 66 BL/Black C TM747
P15	002391-A	Ground Wire EMI Filter W/FERRITE 160L
P16	1000201219	Wire Control Board 600+600+300(KST,RVS3
P17	0000088746	Power Socket 80+130(SS-3B+FDNYD5-250-1)
P18	0000088747	Ground Wire Power Socket 200+50(KST FDFN
P22	1000228045	WIRE TV POWER 180(SCD-554DCS103BB1G+TKP
P27	065248-A	TV Coax Adaptor Female F-A028-NBX7-C
P28	1000444155	Cat6 Network Signal Wire 180(KINSUN,320
P33	1000229192	POWER CORD SET 10-ft NEMA (90 Unit, 90 Outlet) (90 Unit, 90 Outlet)
P33	0000094429	Power Cord Set 15-ft NEMA (90 unit, 180 outlet)
P33	0000094428	Power Cord Set 10' NEMA (90 unit, 180 outlet)
P50	056225-A	Ferrite PART OF #79 CABLE NOT ORDERABLE
Q03	0000086077	End Cap Rear Roller Left T75B1-SV040 T5x
Q04	0000086078	End Cap Rear Roller Right T75B1-SV040 T5
Q05	0000084691	Side Rail PVC 425C T5x-02
Q06	0000084538	End-Cover Console Mast Left ABS/PA746/80
Q07	0000084587	End-Cover Console Mast Right ABS/PA746 8
Q11	000511-B	Foot pad Frame R Nylon+G15% TM65 - D/C, NO REPL Part will show as orderable until stock is depleted
Q21	020096-00	Screw Hex Socket Round M8x1.25Px15L Chromed
Q23	004481-00	Screw Hex Socket Round M8x1.25Px45L
Q25	0000082736	Washer Flat 8.2X16.0X2.0T BZN
Q26	004456-00	Screw Round Hex Socket M5x0.8Px16L
Q27	1000231496	WASHER FLT Diam.5.0XDiam.12.0X1.0T BAN
R04	1000494771	Belt POLY-V 310-J12 HUTCHINSON
R05	1000471188	Treadmill Belt-Extrawork Beeswax GT TM
R07	004495-00	Screw Round Hex Socket M10X1.5PX100L
R08	004529-00	Screw Hex Socket Round M10x1.5Px40L
R09	005006-00	Washer Spring SW10 10.2x18.4x2.5t

R10	005062-00	Washer Flat 10.2x19x2.0T Chromed	
U04	0000084591	Idler SS41 53.5x40L T5x-02	
U05	0000091047	Bearing Dry WFM-2528-11 IGS	
U49	0000086229	Spring Extension 3.0x25.0x127.1Lx30N	
U50	0000088505	Bearing Ball 6203LUZ 17X40X12T TPI	
U51	086331	Washer Wavy 17.2X22.5X0.3T	
U52	005025-00	Washer Flat 25.5x38.0x1.5t Black Zinc	
U53	005219-00	Washer Wavy 26.0x35.0x0.3T	
U54	005366-00	C-Clip External S-25	
U55	005363-00	C-Clip External S-17	
V05	0000086226	Nameplate Motor Cover LOGO T5X-02	
V11	006078-00	Decal Grounding TM08	
V16	1000216443	warning LABEL BRACKET POWER CORD	
X07	0000089111	Tape Dual Sided 20x30x3t TM501	
Z10	020090-00	Screw Hex Socket Round M10x1.25Px20L Chromed	
Z14	0000086571	Washer FLT 8.2X16.0X2.0T SPHC CHM	
Z18	004447-AC	SCREW SH M5X0.8PX12L CT HS BAN	
05	Part of Kit 4	MOTOR COVER SET NO INCLUDE DECAL T5x-02	
AB10	Not a service part	Painting Frame Set BP-920S T5x-03	Not a service part
AB29	Part of Kit 13	Elastomer Set Semi-Assy Nai-Li T5x-02	
AH2	1000343082		For frame in black matte
AU2	Part of Kit 1	Painting Idler Set BL TM501	
JM53	Part of Kit 2	Marking Motor OPP Front MATRIX	
M01	Part of Kit 2	Driver Motor AC Matrix Silver 3.0HP 230	
M04	Part of Kit 2	Flywheel Motor FC20 190 TM65C	
M07	Part of Kit 2	Ground Wire Motor 240L (KST RVS3-5)x2 TM	
M36	Part of Kit 2	Key Round Dual-End 6x6x35L	
M61	Part of Kit 2	WASHER FLT 8.2X25.0X1.5T BZN	
M68	Part of Kit 2	SCREW TH M8X1.25PX12L HS BZN BP	
V21	Part of Kit 2	Warning Sticker Motor Yellow/Red/Black/W	
11	0000084530	Painting Console Mast L BP-920S T5x-02	Discontinued - Discontinued
12	0000084540	Painting Console Mast R BP-920S T5x-02	Discontinued - Discontinued
15	0000089489	Elastomer Set Running Deck Back T5x-02	Discontinued - Discontinued

2	1000204065	Motor Set TM501C	Discontinued - Original. If this part (1000204065) is out of stock, send motor 1000350718 instead. See service bulletin "Substitute Motor". If frame serial indicates manufacture on or after March 2020 (FTM5012003 or later), please request failed motor returned to JHT-NA for inspection, Attn: Jake Sleppy. Also send Quality Return label, ZMS4009192. Discontinued - Substitute motor #2. Order this part if 1000204065 and 1000350718 are both out of stock.
2	0000088970	Motor Set TM501 SBOM	Discontinued
AR2	014680-E	Rear Roller Set 3.5 Inch	Discontinued
B101	0000088994	Foot pad 5/8 Inch-11UNC BED TM501	Discontinued
B25	0000084528	ADJ plate Foot Pad SPHC 2.0t BED TM501	Discontinued - Discontinued
B35	1000417248	Finished treadmill deck Timber 616x1340x	Discontinued - Return for quality inspection only if deck is cracked/broken.
B35	ZMS4006399	3 LAYER D&P DECK WITH JHT WAX	Discontinued - Return for quality inspection only if deck is cracked/broken.
B35	004301-B	Running Deck 616x1340x25.4t	Discontinued - Return for quality inspection only if deck is cracked/broken.
B36	1000208940	Extrawork Elastomer Running Deck Nai Ri	Discontinued
B56	004355-AC	Screw BH M4X0.7PX10L PH BAN	Discontinued - Discontinued
B60	004385-AE	Screw Phillip BH M5x0.8Px12L BED Gap	Discontinued - Discontinued
M03	0000094477	Motor Control Board 1.5KW/90~264V Delta	Discontinued - Okay to order if there is stock. This MCB was used in production before 9/2018. It is used with the original cover, 1000201218.

			Discontinued - Used in production 9/2018-11/22/2018. (To use this board on a unit outside that range, also send cover 1000409676). See service bulletin "MCB Change".
M03	1000409726	Controller Motor Delta V3 V01.02 TM532	Discontinued
M03	0000094477	Motor Control Board 1.5KW/90~264V Delta	Discontinued - Discontinued
M17	020477-00	Washer Flat 10.2X20.0X2.0T Black Zinc	Discontinued
M20	1000201218	MCB Cover ABS/PA765/MX-silver gray	
M20	1000409676	Cover MCB ABS/PA765 Matrix SL	Discontinued - Updated part fits new MCB. See service bulletin "MCB Change".
M50	003530-A	EMI Wave Filter 115V/250V/20A	Discontinued - Discontinued
Not Shown	1000208260	DOCUMENTATION MANUAL ASSEMBLY ENGLISH - D/C, NO REPL See OM on product page.	Discontinued - Discontinued
Not Shown	1000346763	Decal Console Mast Gray TM501-US	Discontinued
P11	0000089860	Cap C-SAFE NYION 6/6 BL T1x	Discontinued
P13	001597-A	GROMMET NYLON WHT	Discontinued - Discontinued
P28	1000212816	Cat5 EXT Wire Net Signal 180(3205615600 8P+T	Discontinued
P33	066055-A	Power Cord 15' NEMA (USA 110V) 4500,12AWG(T	Discontinued - Discontinued
R04	1000340398	Belt POLY-V 310-J12 Halftone GATES	Discontinued
R05	0000094489	Running Belt Wax 554X3330X2.5T TM65	Discontinued
U05	1000337680	Bearing Dry Diam.X35.4x11.0L Jiou Jyu	Discontinued